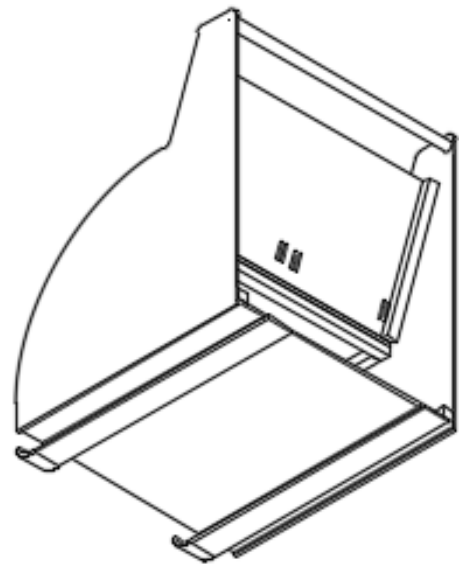
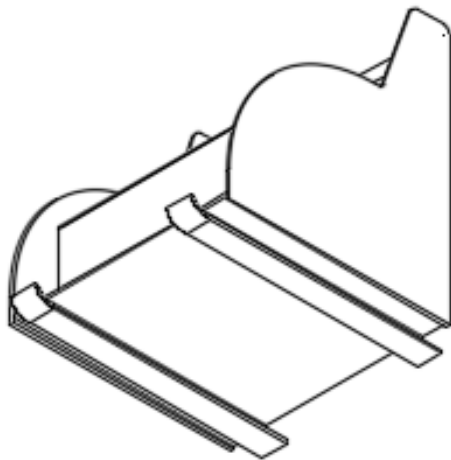
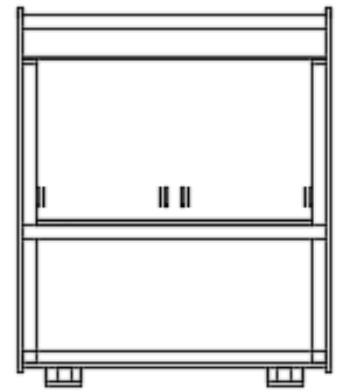
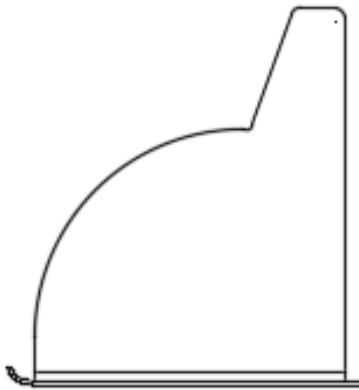
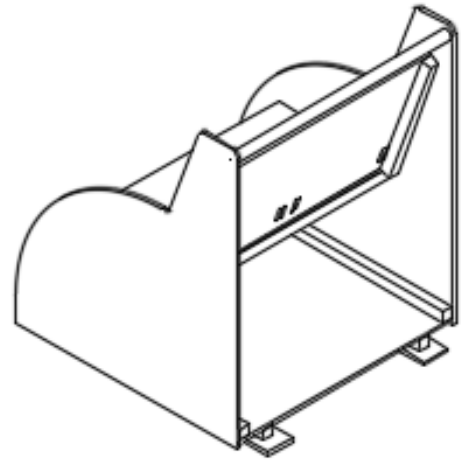
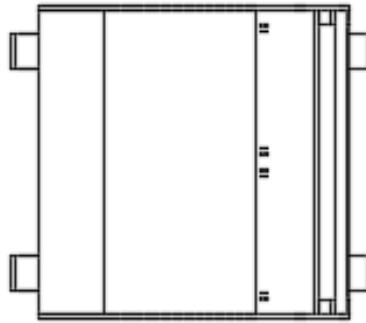
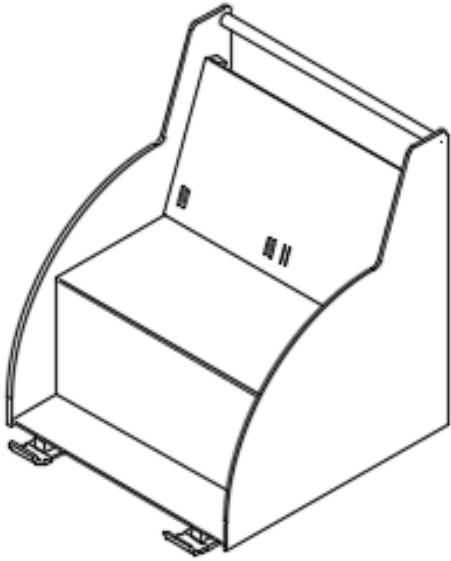
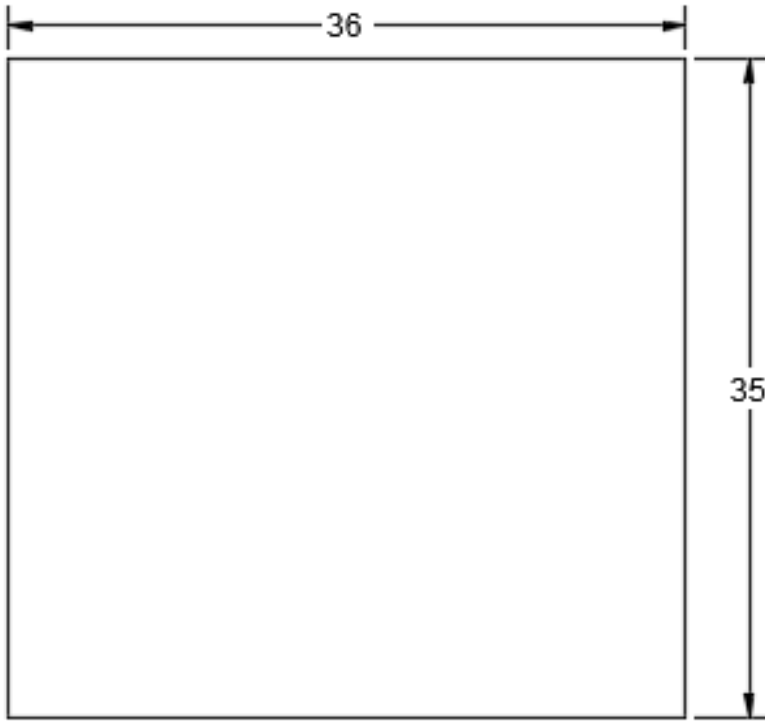


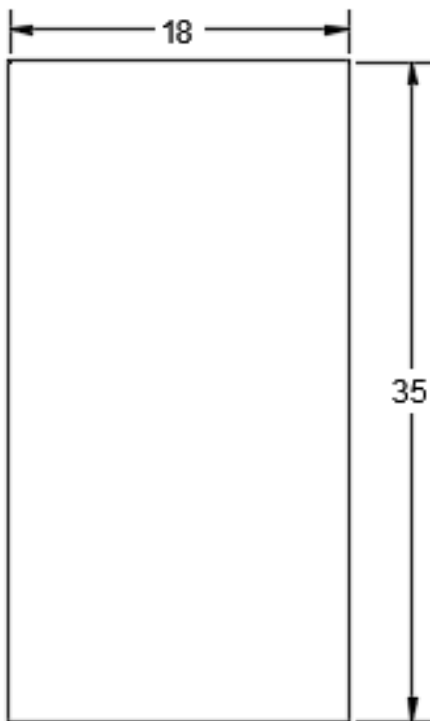
Assembly Detail



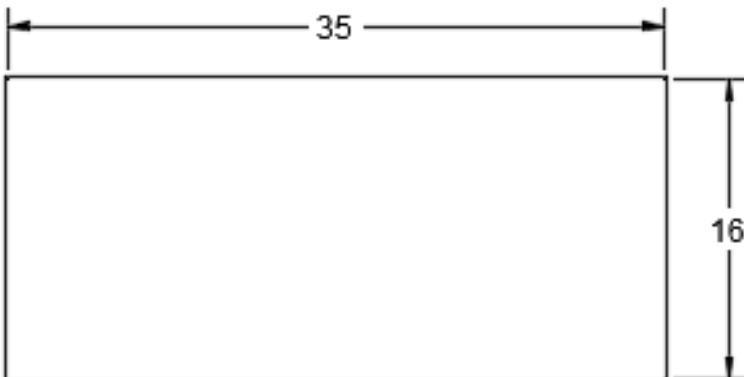
Part Name	Quantity	Material	Width	Height
Side - Left/Right *see detail drawing	2	1/2" Plywood		
Floor	1	1/2" Plywood	35"	36"
Seat	1	1/2" Plywood	35"	18"
Riser	1	1/2" Plywood	35"	16"
Back Rest *see detail drawing	1	1/2" Plywood	35"	20"
Handle	1	1-1/2" Round Wood Dowel	35"	
Ski Mount - Left/Right	2	2"x2" SPF		36"
Frame - Seat Rear	1	2"x2" SPF	35"	
Frame - Seat Left/Right	2	2"x2" SPF		14.5"
Frame - Back Rest Left/Right	2	2"x2" SPF		20"
Frame - Riser Top/Bottom	2	2"x2" SPF	35"	
Frame - Riser Left/Right	2	2"x2" SPF		13"
Frame - Floor Left/Right	2	2"x2" SPF		26.5"
Ski without bindings (used)	2			> 42"



Floor

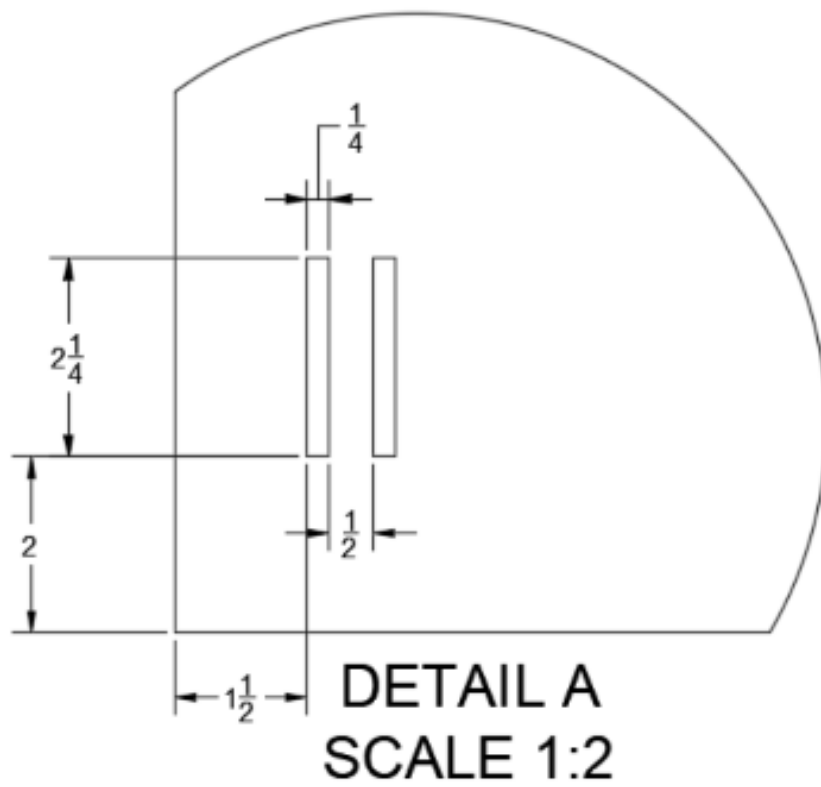
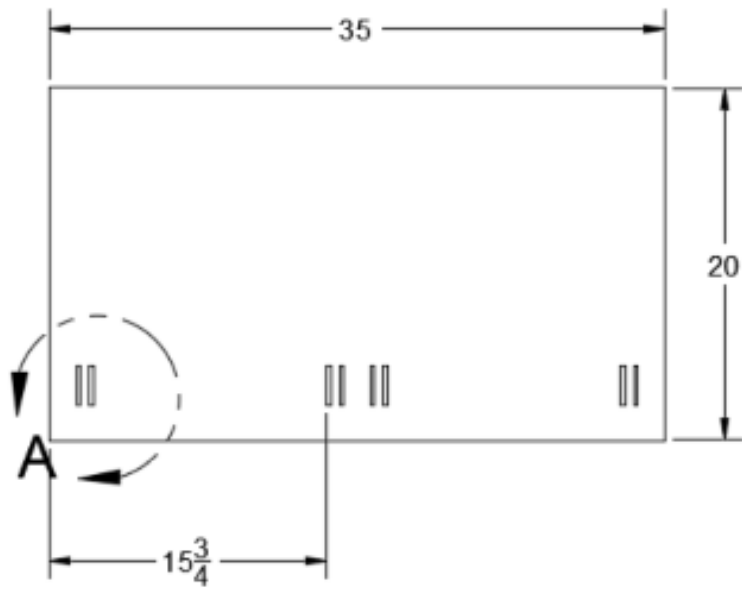


Seat



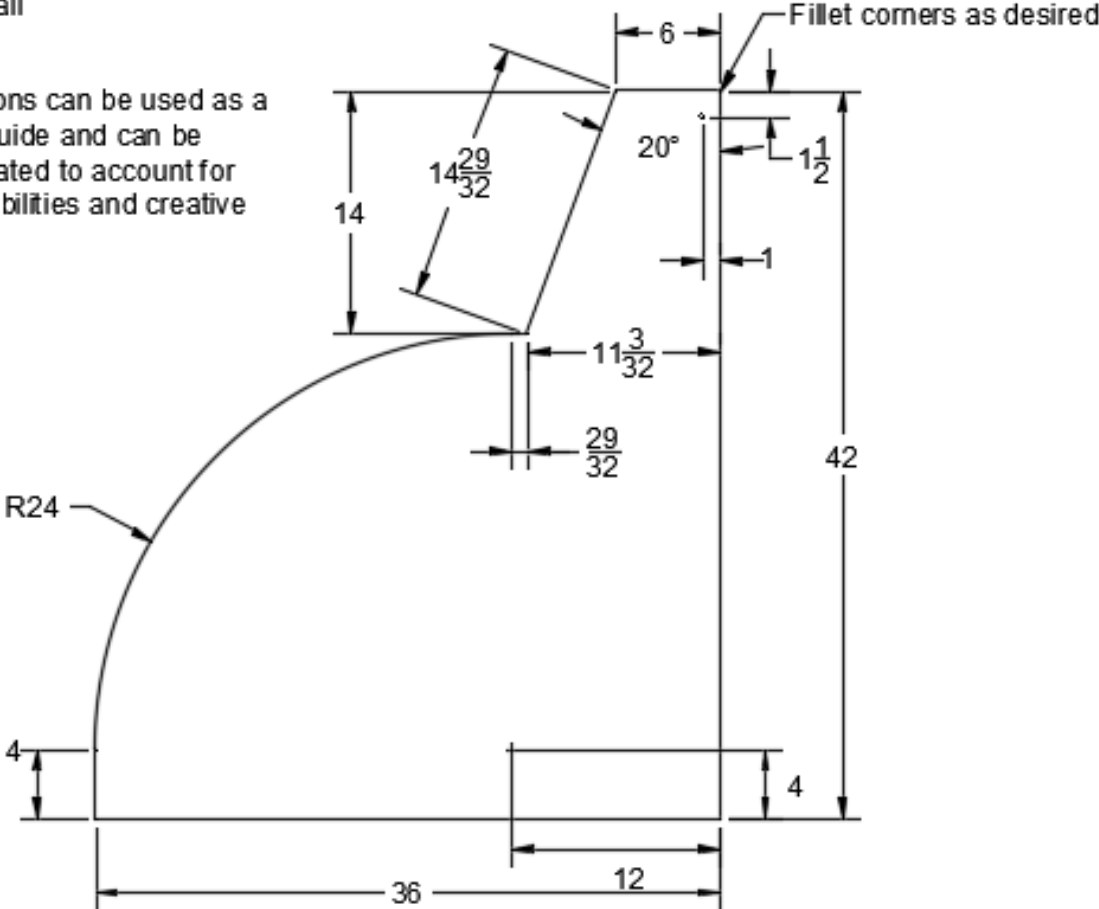
Riser

Back Rest Detail

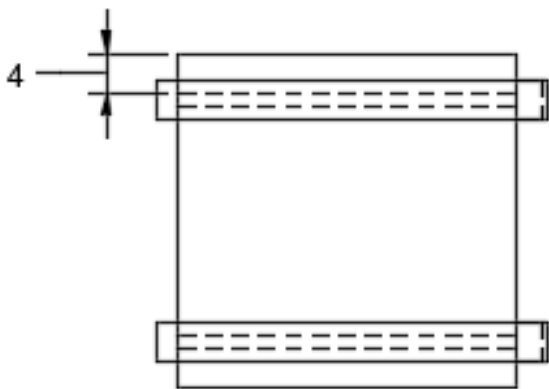
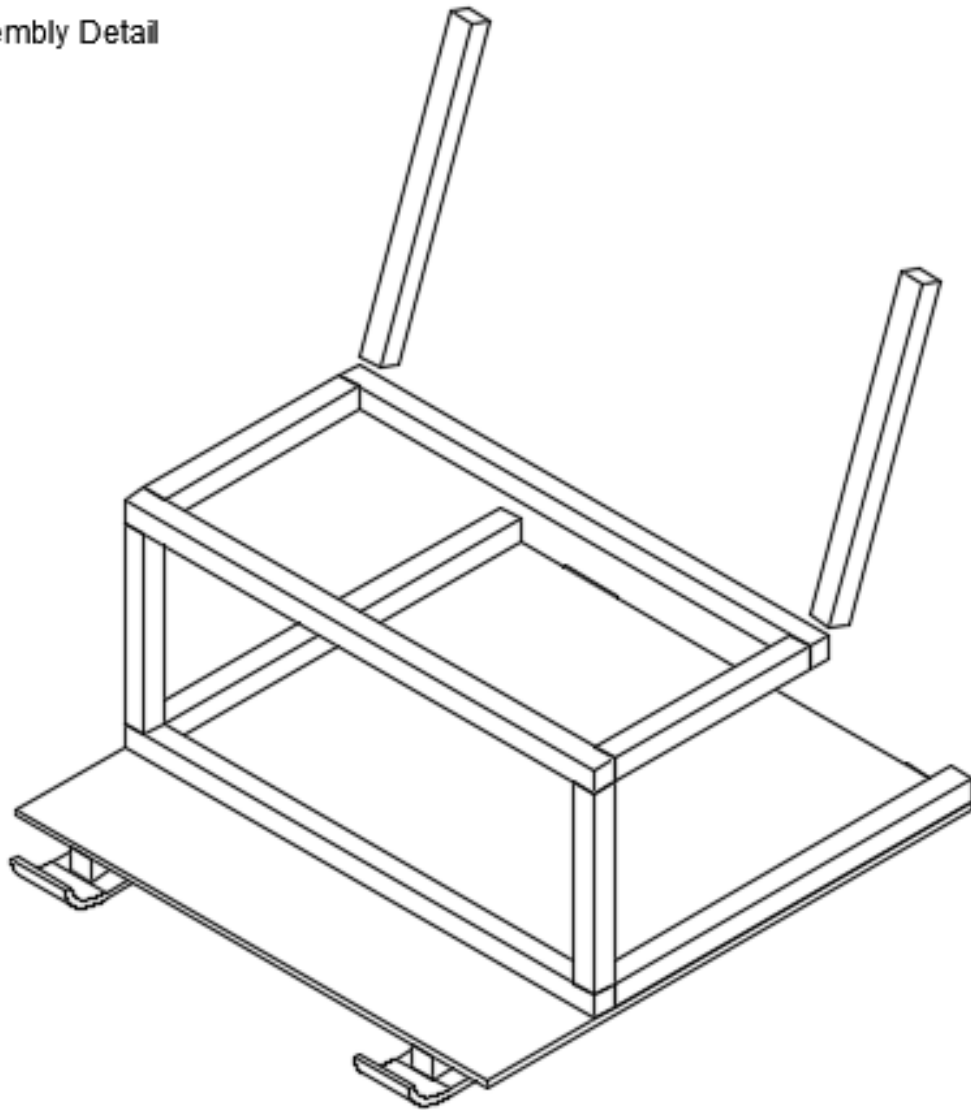


Side Detail

*Dimensions can be used as a general guide and can be approximated to account for builders abilities and creative desires.



Frame Assembly Detail



*For ease of assembly, consider attaching Skis to Ski Mounts before attaching Ski Mounts to floor.